

## 3-IN-1 BATHROOM HEATER & EXHAUST FAN WITH TRICOLOUR LED LIGHT



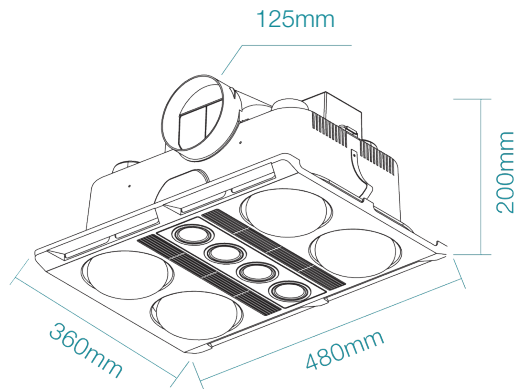
### Model Numbers

MBHP4LW

### Features

- Low profile design to suit any bathroom application
- High efficiency DC motor
- Polypropylene housing with Polycarbonate fascia
- Built in thermal overload protection
- Back draft stopper included
- Half heat function
- Cut-out template included
- Compatible with Martec bathroom remote MBHRKIT (not included)

### DIMENSIONS



### SHIPPING

Model Numbers	Carton Size			Carton Quantity	Carton Gross Weight (Kg)
	H (mm)	W (mm)	L (mm)		
MBHP4LW	605	520	480	2	8

### AVAILABLE COLOURS



White

Model	Colour	Barcode
MBHP4LW	White	

### SPECIFICATIONS

Model Name	Profile Plus DC 4
Model Numbers	MBHP4LW - White
Air Extraction m <sup>3</sup> /hr	460m <sup>3</sup> /hr
Exhaust Fan Wattage	25W
Voltage / Frequency	220-240Va.c. 50-60Hz
Materials / Housing	Polypropylene
Cutout Size	435 x 275mm
Decibel Rating	≤50dB
IP Rating	IPX4
Heating Wattage / Type	4x 275W heat lamps
Lighting Wattage / Type	4x 6W GU10 LED tricolour
Colour Temperature	3000K / 4000K / 5000K
Lumens Output	2400lm
Minimum Ceiling Depth	220mm
Ducting Size	125mm
Accessories Included	1x 3m duct 2x clips for ducting 1x external grille 1x 4gang switch wall controller 4x heat lamps 4x GU10 lamps

### INSTALLATION

Installation	By licensed electrician only
Warranty	2 year in-home warranty

\*For further information regarding warranty terms and conditions, please refer to enclosed warranty statement. Warranty is void unless installed by a licensed electrician.