

## 3-IN-1 BATHROOM HEATER & EXHAUST FAN WITH TRICOLOUR LED LIGHT



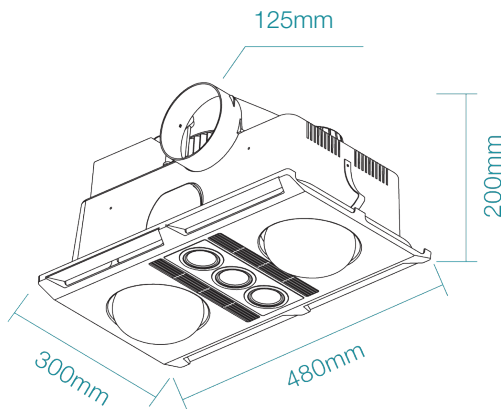
### Model Numbers

MBHP2LW

### Features

- Low profile design to suit any bathroom application
- High efficiency DC motor
- Polypropylene housing with Polycarbonate fascia
- Built in thermal overload protection
- Back draft stopper included
- Cut-out template included
- Compatible with Martec bathroom remote MBHRKIT (not included)

### DIMENSIONS



### SHIPPING

Model Numbers	Carton Size			Carton Quantity	Carton Gross Weight (Kg)
	H (mm)	W (mm)	L (mm)		
MBHP2LW	590	535	430	2	6.4

### AVAILABLE COLOURS



Model	Colour	Barcode
MBHP2LW	White	

### SPECIFICATIONS

Model Name	Profile Plus DC 2
Model Numbers	MBHP2LW - White
Air Extraction m <sup>3</sup> /hr	460m <sup>3</sup> /hr
Exhaust Fan Wattage	25W
Voltage / Frequency	220-240Va.c. 50-60Hz
Materials / Housing	Polypropylene
Cutout Size	435 x 255mm
Decibel Rating	≤50dB
IP Rating	IPX4
Heating Wattage / Type	2x 275W heat lamps
Lighting Wattage / Type	3x 6W GU10 LED tricolour
Colour Temperature	3000K / 4000K / 5000K
Lumens Output	1800lm
Minimum Ceiling Depth	220mm
Ducting Size	125mm
Accessories Included	1x 3m duct 2x clips for ducting 1x external grille 1x 3 gang switch wall controller 2x heat lamps 3x GU10 lamps

### INSTALLATION

Installation	By licensed electrician only
Warranty	2 year in-home warranty

\*For further information regarding warranty terms and conditions, please refer to enclosed warranty statement. Warranty is void unless installed by a licensed electrician.