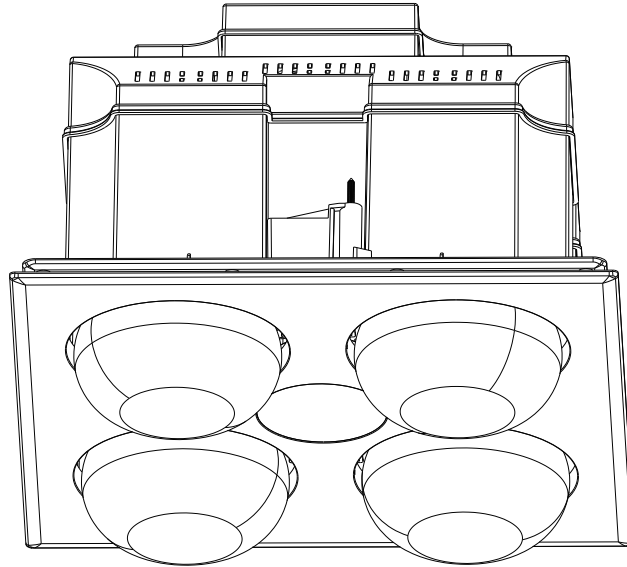


INSTALLATION GUIDE

FORME 4 3 in 1 Bathroom Heater



Product Code:

MBHF4LW Forme 4 Heat 3 in 1 Bathroom Heater Exhaust Fan & 10W Tricolour LED Downlight White

CAUTION
READ INSTRUCTIONS
CAREFULLY FOR SAFE
INSTALLATION AND FAN
OPERATION



**MUST BE
INSTALLED BY
A LICENSED
ELECTRICIAN**

SAFETY PRECAUTIONS

Dear customers,

Thank you for selecting Martec Bathroom Heater 3 in 1. Please read all instructions before commencing installation.

IMPORTANT: This unit must be installed to comply with the appropriate council regulation and the Australia and New Zealand wiring rules AS/NZS3000:2000 or latest edition thereof.

The main supply and interconnecting cables required for installation of this unit are not included.

WARNING - INSTALLATION ONLY TO BE CONDUCTED BY QUALIFIED ELECTRICIANS

1. Use this heater only as described in this manual. The manufacturer does not recommend any other use as this may cause fire, electric shock or injury to persons. If you have questions contact the manufacture or local agent.
2. All wiring must be carried out by a licensed electrician in accordance with all applicable codes and standards.
3. Make sure the power is off before the installation.
4. When cutting into the wall, do not damage electrical wiring and other hidden utilities.
5. The heater must be properly grounded.
6. The lamps are hot when in use. Do not touch the infrared lamps with any part of your body when in use.
7. For the purpose of avoiding any dangerous gas leaking into your bathroom, the ventiduct of the heater, must not be laid together with the ventiduct of air-fueled water heater or other open-fire applications into the same flue.
8. The disconnection may be achieved by having the plug accessible or by incorporating a switch in the fixed wiring in accordance with the wiring rules. The heater must be isolated from the power by means of a plug or all-pole disconnection switch with a contact separation of at least 3mm in each pole.
9. The power cable must stand a minimum 5A load.
10. The appliance is not intended for use by persons (including children) with reduced physical, sensory or mental capabilities or lack of experience and knowledge, unless they have been given supervision or instruction concerning use of the appliance by a person responsible for their safety.
11. Children should be supervised to ensure that they do not play with the appliance.
12. The heater is to be installed so that the switches and other controls cannot be touched by a person in the bath or shower.
13. The appliance shall, under no circumstances, be covered with insulating material or similar material.
14. Regulations concerning the discharge of air have to be fulfilled.
15. Joists, beams and rafters shall not be cut or notched to install the appliance.

BEFORE INSTALLATION

IMPORTANT CONSIDERATIONS BEFORE INSTALLING

A few minutes of planning can make a big difference to the installation time and also to your satisfaction with the function of the unit.

1. The unit should not be installed directly above a shower or bathtub. The unit must not be installed in a position where water may splash onto the lamps.
2. The unit must not be installed beneath a fixed socket.
3. The unit is designed for installation in flat ceilings only. Do not mount it on a sloping ceiling or a vertical wall.
4. The infrared lamps are most effective when you are standing directly beneath them, so generally the unit would be mounted a place where you would stand to dry yourself.
5. For the exhaust fan to work efficiently, replacement air of a volume equivalent to what is being extracted must be able to enter the room. Generally, this air would be drawn under the door, or through a slightly open window. If the room is airtight, the fan will function properly.
6. Before commencing any cutting, check in the ceiling space that there are no obstructions such as ceiling joists and that there is sufficient height clearance for the housing. Check that the electrical wiring can be routed from the wall switches to the mounting location.

List of Accessories

1. 1x Unit
2. 4x Infrared lamps 275W (E27)
3. 1x 10W light SMD Tricolour (size Dia 83x45)
4. 1x Instruction
5. 1x Vent duct kit
6. 2x Duct clip
7. 1x Switch

PLEASE NOTE: Check for any damage to the remote prior to installation.
Physical damage such as marks and scratches are not covered by the in-home warranty.
In this case, please contact the Martec support team to discuss replacement parts.

INSTALLATION

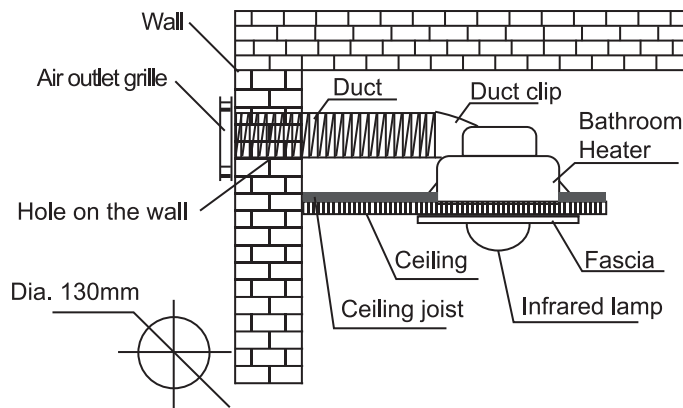
Step 1: Cutting a vent

Locate a vent position (above the ceiling) on the wall, and then cut a 130mm diameter hole at this position.

Step 2: Ducting and air outlet grille

Sleeving one end of the 125mm diameter vent-duct on the air outlet grille with a duct clips and extending the other end into the vent hole and seal space around the hole using a suitable sealant and cawling where necessary fixing the air outlet grille on the outer wall.

Note: Since the length of each duct is 1.5m, make sure that from the centre of installation position there should be a distance within 1.5m to the outside vent.



Wall venting shown

Step 3: Locating the heater

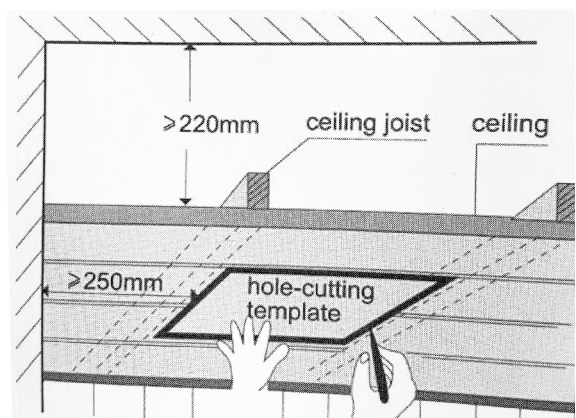
For the purpose of obtaining best heating effect, from the lamps there should be a distance of about a 2.3mtr overall height to ground.

Step 4: Prepare the ceiling

Cut around the included hole-cutting template and use this template to mark the hole outline on the ceiling.

Note the hole cut out size is 375mm x 202mm for this unit.

Make sure a distance between the edges and wall is no less than 250mm. Also from the rooftop should be a minimum 220mm height to the ceiling.



INSTALLATION

Step 5: Remove the fascia

Remove the 4 lamps from the heater, then remove the plug of the led downlight inside the housing. Unclip the internal fascia-retaining springs inside the housing. Remove the fascia.

Step 6: Electrical Wiring

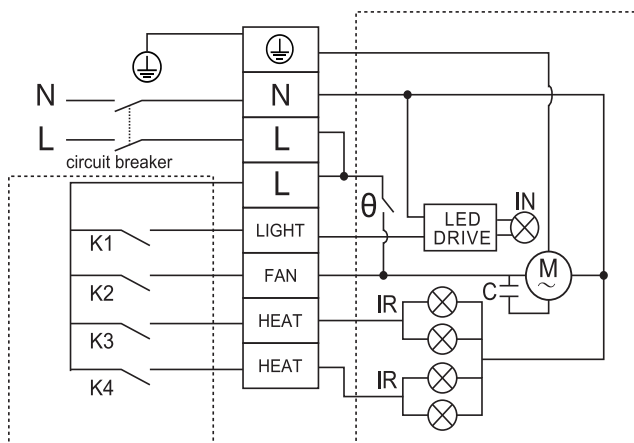
The bathroom heater unit must be wired through either a plug and socket or an all-pole disconnecting switch (SW 1) in accordance with Australian Wiring Rules AS/NZS3000.

Note: This unit is fitted with a thermostat switch which will operate to automatically switch the fan on in the event that the internal temperature of the unit exceeds 80°C. Fit the wires to the nominated location on the terminal block on the back of wall switch plate.

Connect the wiring to the three switches as shown in the below electrical diagram.

Note:

- Ensure that the power is turned off before carrying out any work on electrical installations.
- Remove the terminal cover on the heater unit and wire accordingly to the label adjacent to the terminal block. Make sure all cables are securely connected and refit the terminal cover.
- Clean the fascia and globes with a soft moist cloth. Turn on power and check the switch operation.



M:Motor C:Capacitor
IR:Heat Lamp IN:Light Lamp
K:All-pole disconnection switch
θ:Heat protector

Terminal block
220-240V AC 50Hz

Light:10W LED downlight
Heater:4×275W
Fan:45W

Step 7: Connect the ducting

Locate and fit the duct to the ducting outlet, be sure to secure properly over the duct outlet. Use clamp supplied or zip tie to secure duct (tighten so that it will not come off during operation).

Step 8: Position the housing into the hole

Based on the position of the fan outlet, select the optimal direction of the shell entry hole. Make sure to rotate the mounting bracket to be flush with the side wall of the main engine, enabling the body to pass through the hole without damaging the gypsum board. Use a screwdriver to rotate the screws of the mounting bracket to fix the mounting bracket to the gypsum board and tighten the screws to secure the mounting bracket in the appropriate position.

INSTALLATION

Step 9: Final Installation

a. Replace the fascia

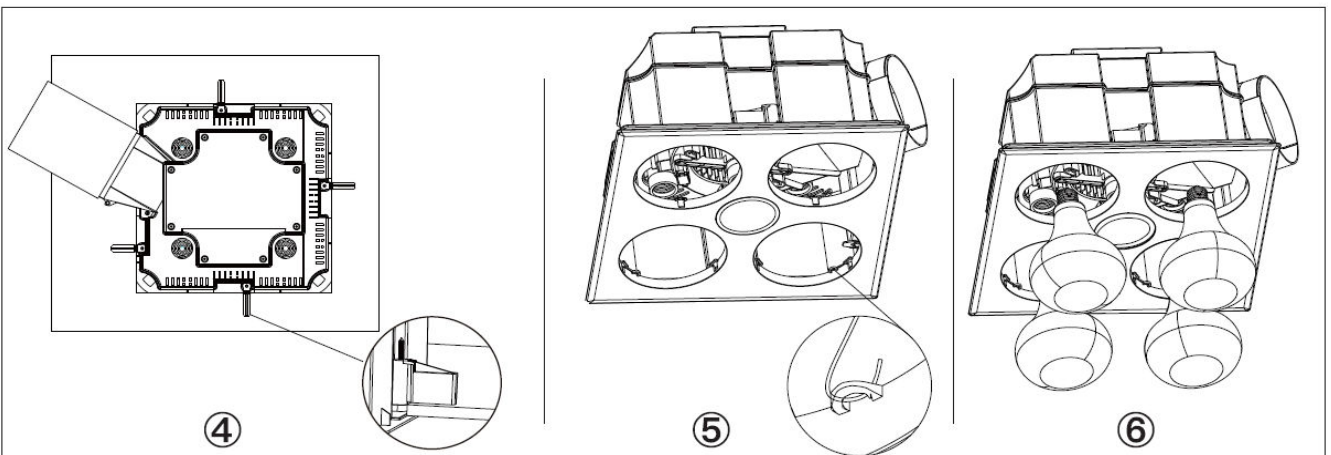
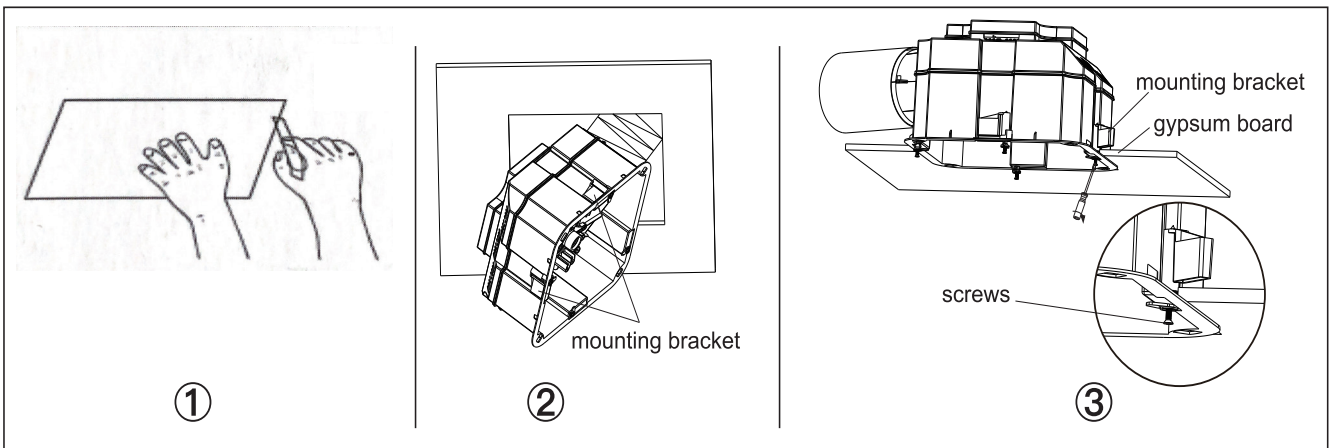
Reconnect the LED downlight plugs. Hold the fascia against the body of the heater and the ceiling and attach the securing springs to hold the fascia in place.

b. Replace the lamps

Ensure the lamps are tightened sufficiently to make good electrical contact. Clean the lamps and fascia.

c. Fix the switch panel to the lamp

Note: The switch wiring should be mounted inside the wall to give the switch an integrated built in appearance. If it is necessary to run the wiring on the outside of the wall, use a suitable conduit and fixings to properly located and hold the wiring used. For the exhaust fan to work efficiently, replacement air of a volume equivalent to what is being extracted must be able to enter the room. In general this air would be drawn from under the door, or through a slightly opened window. If the room is air-tight, the fan will function poorly.



INSTALLATION

Note: Our bathroom heater uses the infrared heating lamps as a source of heat. It also combines the functions of exhaust and light.

1. Heat

Turn on/off 'HEAT' button. Each individual infrared lamp has been sprayed 4 times with cold water to ensure that there are no flaws in the construction. Do not touch the infrared lamps with any part of your body when in use.

2. Exhaust

Turn on/off 'FAN' button. The heater can exhaust odour and steam in a quick and efficient way by turning on the 'FAN' button.

Note: No additional exhaust fan is necessary for the heater itself can exhaust all odour and steam as needed.

3. Lighting

Turn on/off 'LIGHT' button.

Note: Do not turn on/off the buttons frequently when in use. Shut off power if in long vacancy.

MAINTENANCE

1. Clean

- a. Shut off power before cleaning
- b. Wipe lamps and fascia with care using a soft cloth soaked with neutral detergent.

Note: Ensure the lamps are cool to touch before handling

2. Replacement globes

- a. Check and tighten lamps regularly
- b. Shut off power before replacement
- c. Use E27 275W infrared lamps for heating (Martec code: MRL275W)
- d. Centre lamp 10Watt (Tricolour LED Downlight) available from Martec Pty Ltd

Note: It may affect operation (even cause danger) when lamps, other than the designated ones, are used.

WARRANTY INFORMATION

2 Year In-Home Warranty

For further information please visit our website (link below) OR scan the QR code.
<https://www.martec.com.au/warranty-statement>



For technical support, please contact Martec customer service hotline at **(02) 8778 7500**.

If you suspect any issues with the installation, please contact your installer to resolve the matter. In case you believe the issue is related to a manufacturing defect, you can file a warranty claim by visiting **<https://www.martec.com.au/warranty-claim-form>** or scan the below QR code.

IMPORTANT NOTICE: All claims for warranty must be accompanied with the following three documents:

1. Copy of the Installation Receipt OR Tax Invoice OR Certificate of Compliance for the installation of the Martec product from the installing electrician
2. Copy of the Purchase Receipt for the Martec product
3. Submit an online warranty claim form. Please ensure that the purchaser's full name and contact details are clearly stated, in addition to the full nature of the fault and the product code.

It is the responsibility of the purchaser to keep the documents required for a warranty application of the warranty period.

Customer Service operates between 8AM to 4PM EST Monday to Friday.

Customer Service Number: (02) 8778 7500

