

# Pilot LED Batten Installation Guide

We strongly recommend that you read this manual carefully before installation.  
Installation MUST be carried out by a qualified and licensed electrician.

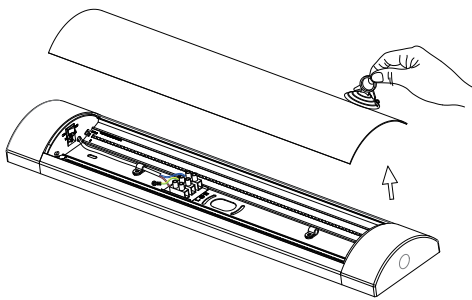


Replacement  
Warranty

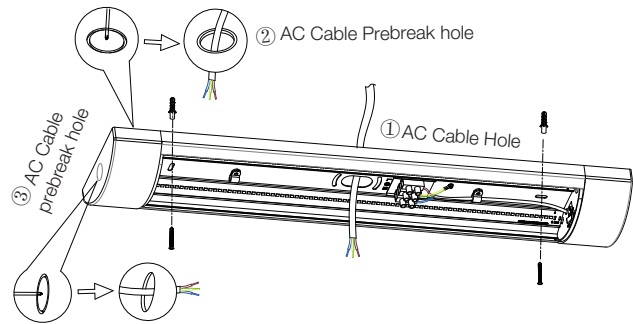
## Models Parameters:

MLPB12345W Martec Pilot LED Batten 40W LED 1200mm Tricolour White  
MLPB60345W Martec Pilot LED Batten 20W LED 600mm Tricolour White

## Installation Instructions

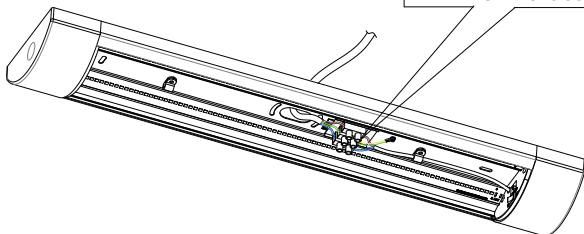
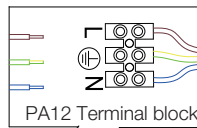


Step 1. Remove LED Diffuser part from the base housing by suction cup .

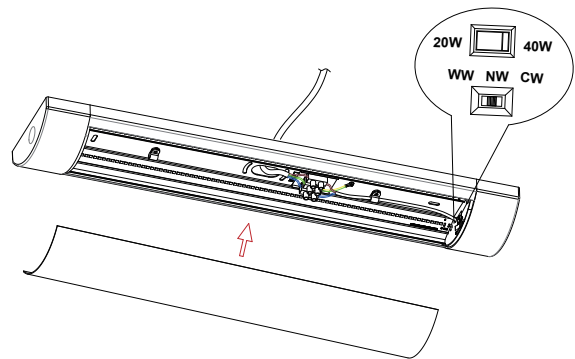


Step 2: The fitting have 3 AC cable entry optional for connection.  
[ Cable entry from ①Centre ②Side ③Bottom ]  
Wire the AC cable into the terminal block through the cable entry AC hole, Mount the fitting onto ceiling with wall plugs and screws.

Connection:  
L - Brown Wire  
N - Green/Yellow Wire  
N - Blue Wire



Step 3: Individually connect the Live wire, Neutral wire and Earth wire into the terminal block.



Step 5: Setting the desired color temperature on the switch .  
Selectable power on the switch.  
Assemble LED diffuser back to base housing.

### Specification

Rated Voltage: 220-240V 50Hz  
Max Wattage: Dual Power 10W / 20W for 600mm battens  
Dual Power 20W / 40W for 1200mm battens  
Colour Temperature : CCT Tri-colour WW 3000K NW 4000K CW 5000K  
Driver type: In-built (non isolated ) SAA driver, Class 1 protection, no dimmable  
Product size: L600\*W120\*H45mm or L1200\*W120\*H45mm

- This lamp must be installed by a qualified electrical contractor ONLY
- IP20 Indoor Installation only
- Warning: Before obtaining access to terminals, all supply circuits must be disconnected

## 2 Year Replacement Warranty

Visit our website for details <https://www.martec.com.au/warranty-statement/>

E: sales@martec.com.au  
W: martec.com.au