

## 3-IN-1 BATHROOM HEATER WITH TRICOLOUR LED LIGHT



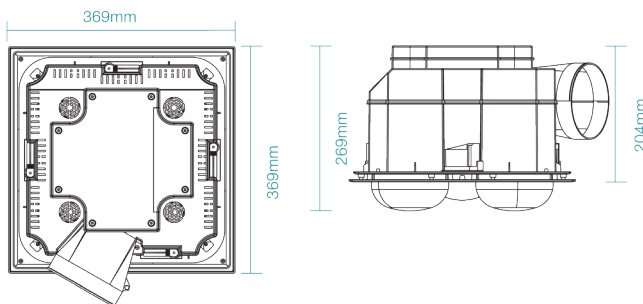
### Model Numbers

MBHS4LW

### Features

- Low profile design to suit any small to medium bathroom application
- Polypropylene housing with Polycarbonate fascia
- Built in thermal overload protection
- Back draft stopper included
- Half heat function
- Cut-out template included
- Compatible with Martec bathroom remote MBHRKIT (not included)

### DIMENSIONS



### SHIPPING

Model Numbers	Carton Size			Carton Quantity	Carton Gross Weight (Kg)
	H (mm)	W (mm)	L (mm)		
MBHS4LW	425	493	655	2	8

### AVAILABLE COLOURS



White

Model	Colour	Barcode
MBHS4LW	White	

### SPECIFICATIONS

Model Name	Striker 4
Model Numbers	MBHS4LW - White
Air Extraction m <sup>3</sup> /hr	360m <sup>3</sup> /hr
Exhaust Fan Wattage	35W
Voltage / Frequency	220-240Va.c. 50-60Hz
Materials / Housing	Polypropylene
Cutout Size	320 x 320mm
Decibel Rating	≤40dB
IP Rating	IPX4
Heating Wattage / Type	4x 275W heat lamps
Lighting Wattage / Type	12W R80 LED tricolour
Colour Temperature	3000K / 4000K / 5000K
Lumens Output	1100lm / 1200lm / 1100lm
Minimum Ceiling Depth	200mm
Ducting Size	125mm
Accessories Included	1x 1.5m duct 2x clips for ducting 1x external grille 1x 4 gang switch wall controller 4x heat lamps 1x tricolour R80 LED lamp

### INSTALLATION

Installation	By licensed electrician only
Warranty	2 year in-home warranty

\*For further information regarding warranty terms and conditions, please refer to enclosed warranty statement. Warranty is void unless installed by a licensed electrician.