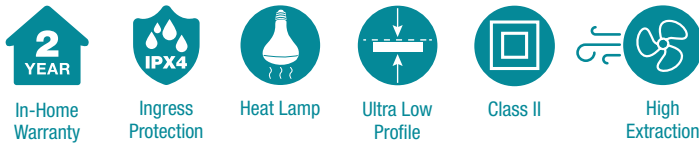


3-IN-1 BATHROOM HEATER EXHAUST FAN / LIGHT



Model Number

MBHE4LW

Features

- Low profile design to suit any small to medium bathroom application
- Polypropylene (PP) housing with polycarbonate (PC) fascia
- Half heat function
- Built in thermal overload protection
- Back draft stopper included
- Cut-out template included
- Compatible with Martec Bathroom Remote Control MBHRKIT (not included)

SPECIFICATIONS

Model Name	Essence 4
Model Number	MBHE4LW
Air Extraction m³/hr	300m ³ /hr
Exhaust Fan Wattage	35W
Voltage/Frequency	220-240Va.c. 50-60Hz
Materials / Housing	Polypropylene Housing
Cutout Size	320mm x 320mm
Decibel Rating	≤40dB
IPX Rating	IPX4
Heating Wattage / Type	4 x 275W heat lamps
Lighting Wattage / Type	9W R63 LED
Colour Temperature	4000K
Lumens Output	900lm
Minimum Ceiling Depth	200mm
Ducting Size	125mm
Accessories Included	1x 1m duct 2x clips for ducting 1x external grille 1x 3 gang switch wall controller 4x heat lamps 1x 4000K R63 LED lamp

SHIPPING

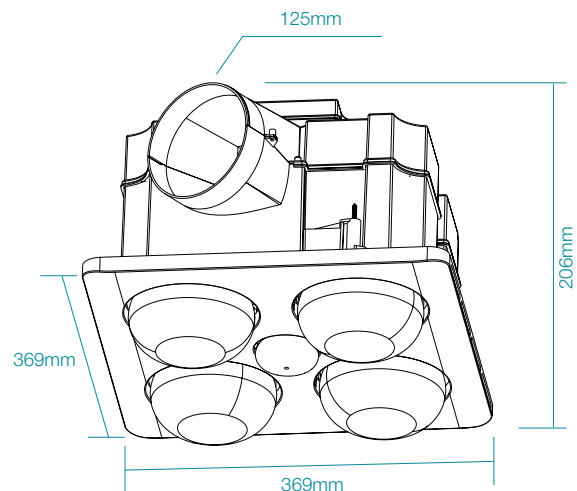
Model Number	Carton Size			Carton Quantity	Carton Gross Weight
	H	W	L		
MBHE4LW	425mm	493mm	655mm	2	8kg

INSTALLATION & WARRANTY

Installation	By Licensed electrician only
Warranty	2 Year In-Home Warranty

*For further information regarding warranty terms and conditions, please visit our website: <https://www.martec.com.au/warranty-statement/>
Warranty is void unless installed by a licensed electrician.

DIMENSIONS



AVAILABLE COLOURS



Model	Colour	Barcode
MBHE4LW	Matt White	9 312375 506959



Aust/NZ Approval No.
GMA-511836-EA