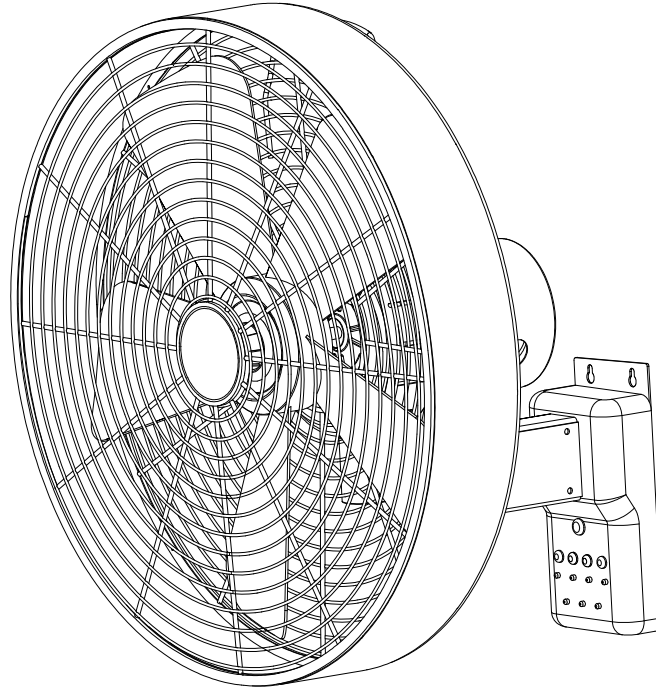


INSTALLATION GUIDE

Como AC Wall Fan



Model Parameters (Fan Only) :-

MWFC400M Como 400mm 16" 3 Speed Remote 55W AC Wall Fan With Timer Black

MWFC400W Como 400mm 16" 3 Speed Remote 55W AC Wall Fan With Timer White

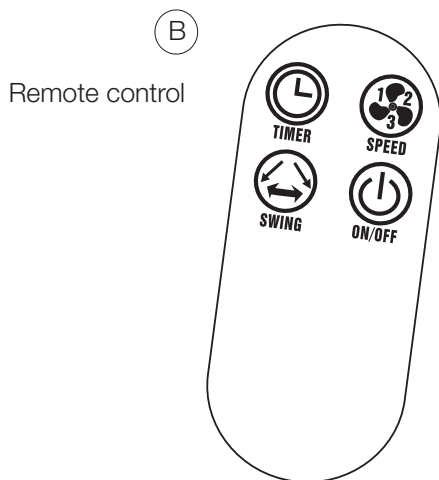
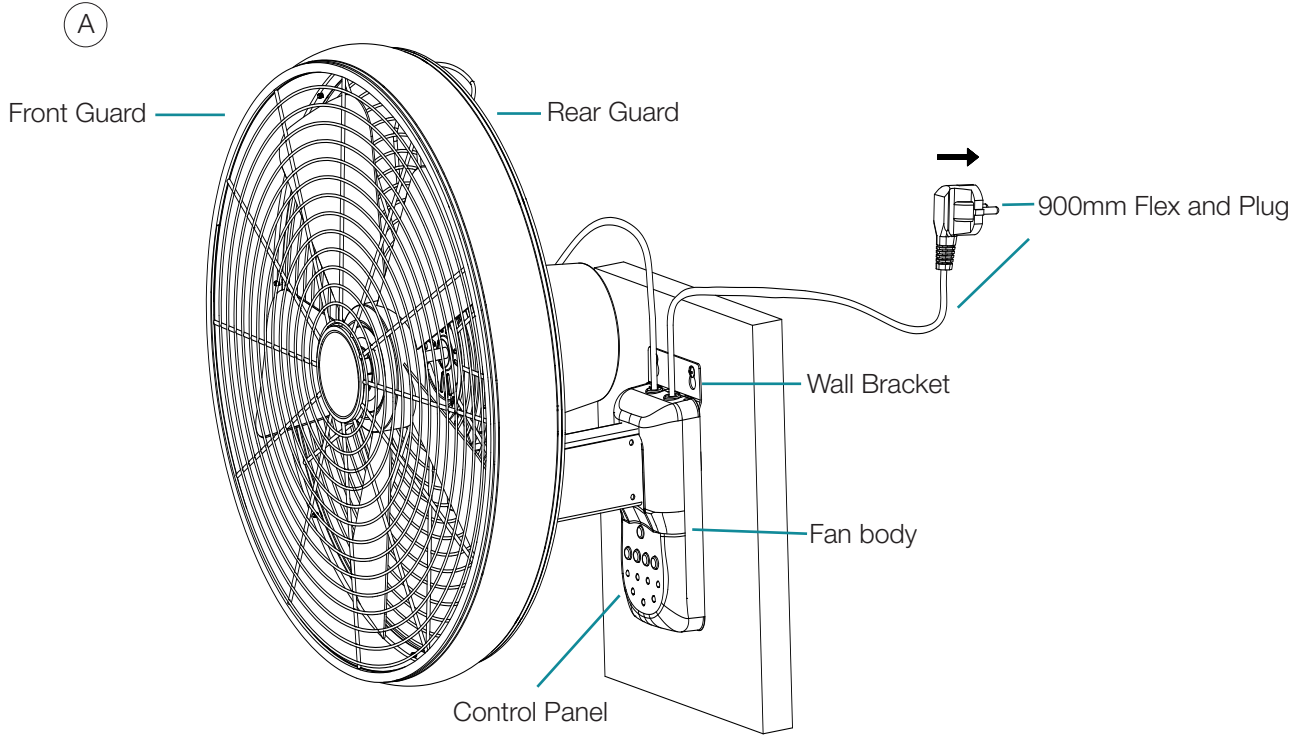
CAUTION
READ INSTRUCTIONS
CAREFULLY FOR SAFE
INSTALLATION AND FAN
OPERATION

SAFETY PRECAUTIONS

1. **NOTE:** Read instructions carefully for safe installation and fan operation.
2. This appliance should not be used by anyone with reduced physical, sensory, or mental abilities, or by those who lack experience or knowledge, unless they are supervised or have been instructed on its safe use by someone responsible for their safety.
3. Children should be supervised to ensure that they do not play with the appliance.
WARNING: In order to prevent strangulation and shock hazard to children, the flexible wiring connected to this fan shall be effectively fixed to the wall.
4. Don't throw away old electronics with your regular trash. Please use designated collection facilities. Check with your local government to find out where you can dispose of them properly. Throwing away electronics can release hazardous substances into the environment, which can contaminate the groundwater and food chain, and ultimately harm your health.
5. If the supply cord is damaged, it must be replaced by an electrician.
6. Make sure the fan is turned off and unplugged before you remove the guard to clean it.
7. Do not operate this product if the cord or plug is damaged, or if the product has malfunctioned, been dropped, or appears to be damaged in any way. For inspection, repair, or replacement, please return the complete product to its original place of purchase.
8. Always switch the device off and unplug it from the wall when it's not going to be used for long periods of time, before assembling or disassembling it, or before cleaning. Avoid touching the moving parts of the fan.
9. Never insert any object through the grill while the fan is on.
10. Do not cover the grill or place the fan close to curtains or other objects that could block the airflow.
11. The surface you mount the fan on must be able to support at least 18kg (39.7lbs).
12. This fan is for indoor use only.

BEFORE INSTALLATION

UNPACK THE PRODUCT CAREFULLY AND IDENTIFY ALL PARTS.

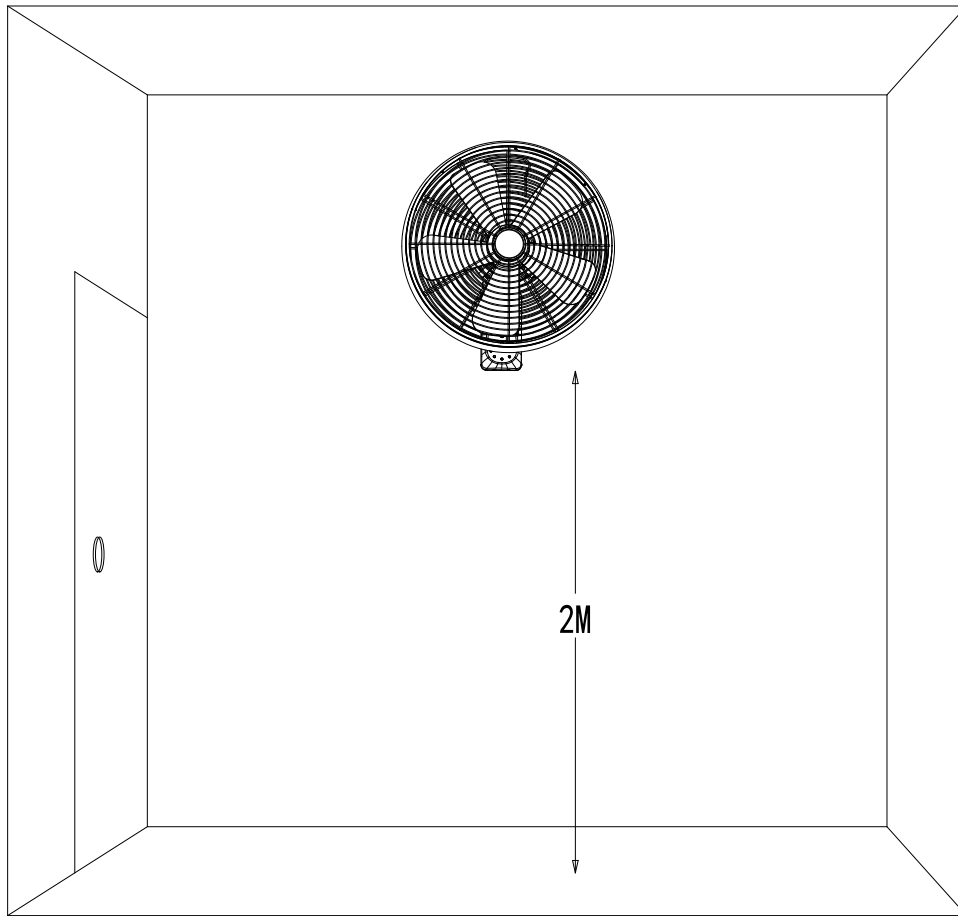


(C) Expansion Bolt x2 pcs

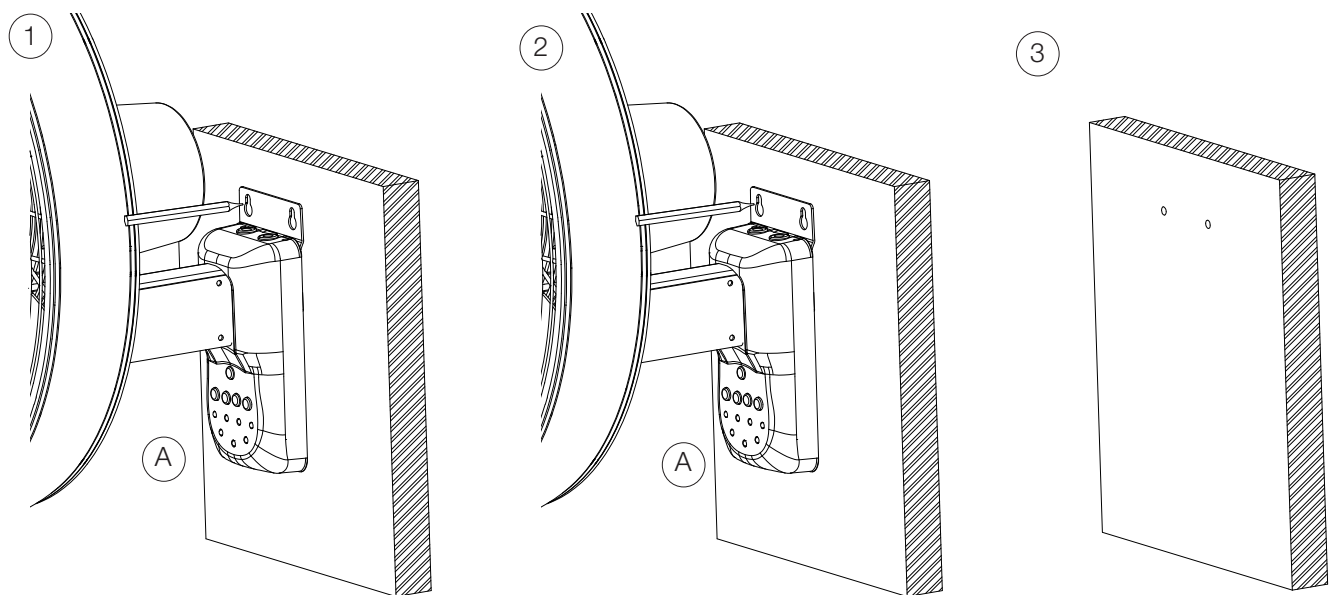
(D) Wall Screw x2 pcs

PLEASE NOTE: Check for any damage to the remote prior to installation. Physical damage such as marks and scratches are not covered by the replacement warranty. In this case, please contact the Martec support team to discuss replacement parts.

INSTALLATION

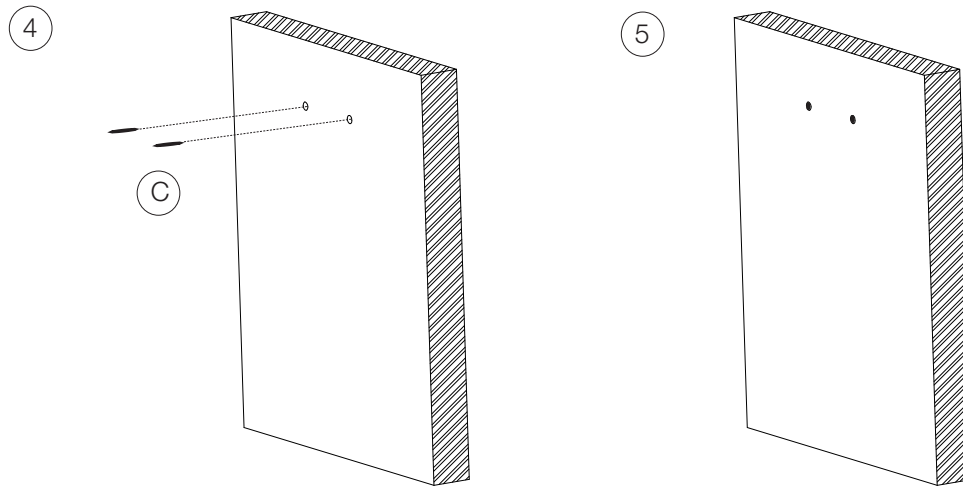


Step 1-3: Position mounting bracket (A) against the wall and mark screw holes.

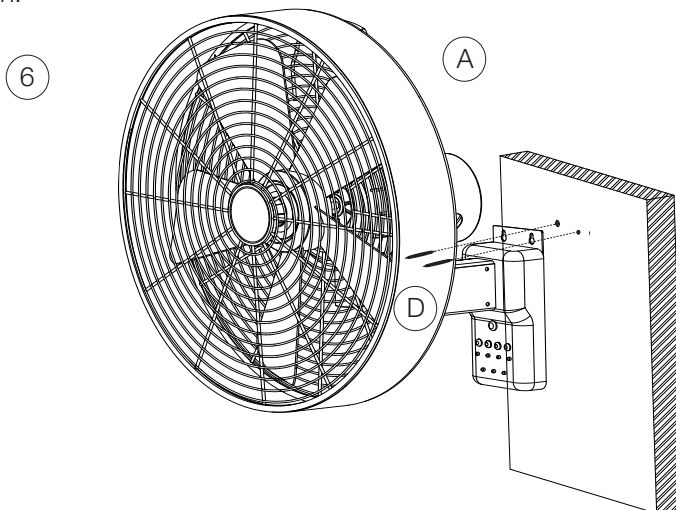


INSTALLATION

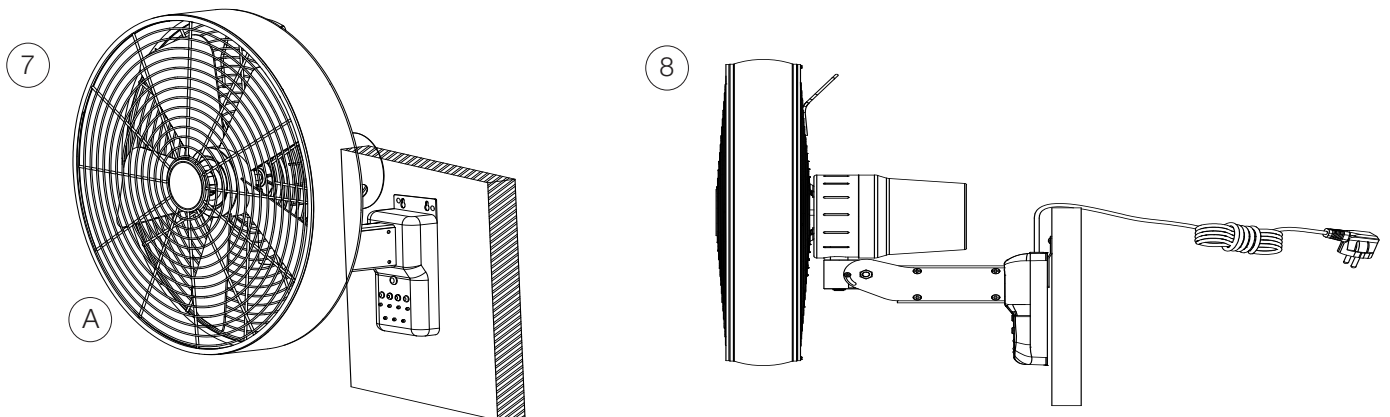
Step 4-5: Drill holes at the marked positions to install expansion screws (C).



Step 6: Fix the mounting bracket on the wall with screws (D). It is essential to ensure that the chosen hardware is compatible with the mounting surface and the surrounding environmental conditions to guarantee a safe and secure installation.

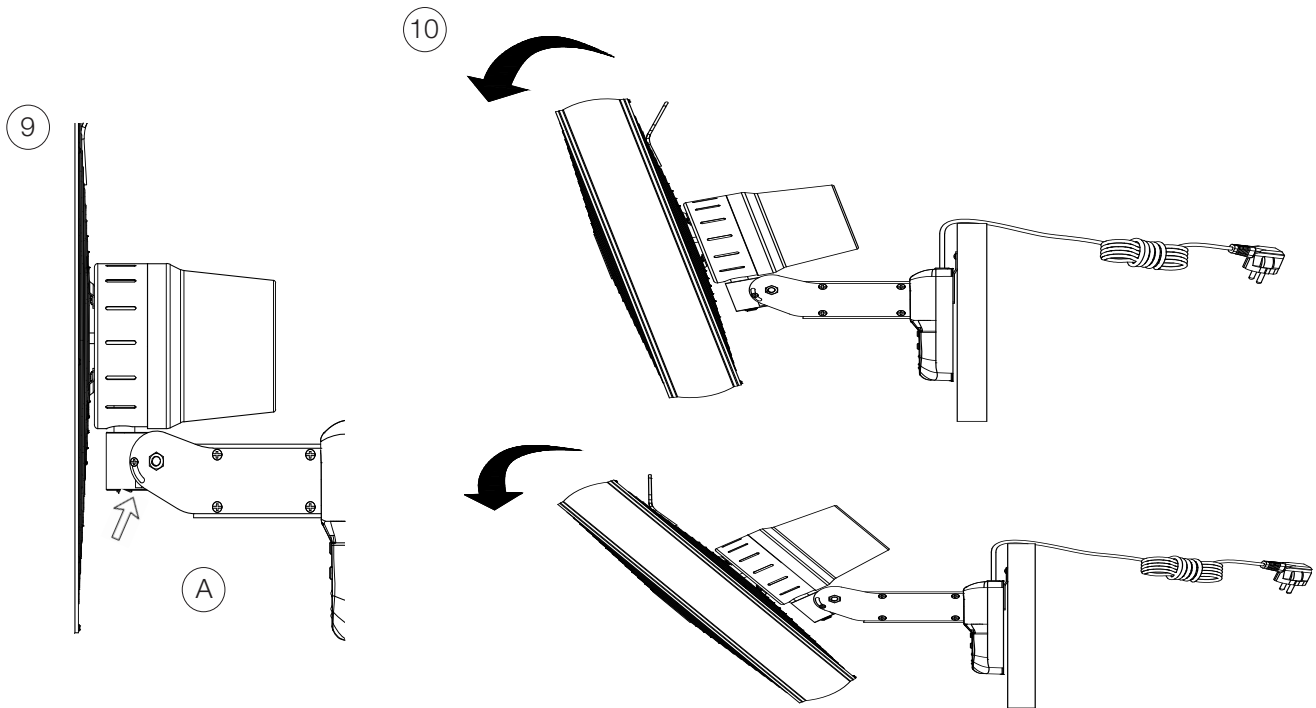


Step 7-8: Check if the bracket is firmly fixed to ensure no looseness.

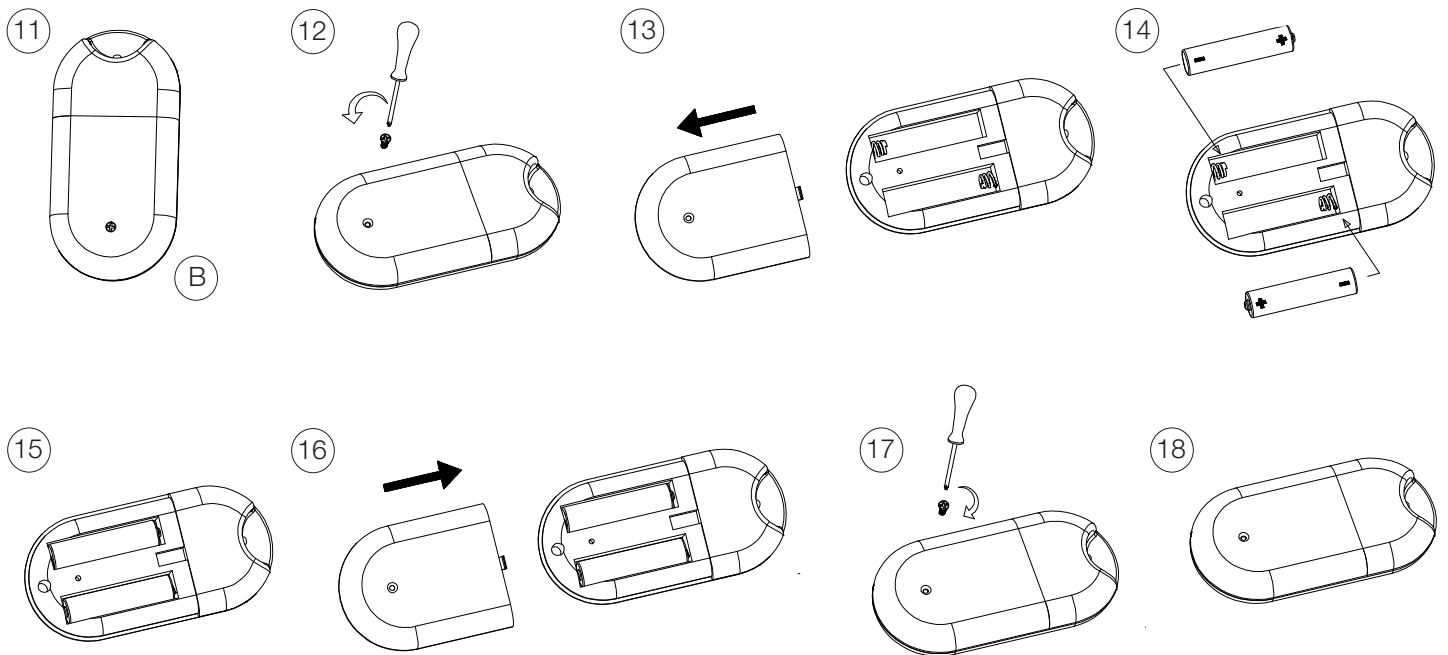


INSTALLATION

Step 9-10: Ensure the fan head rotates freely.



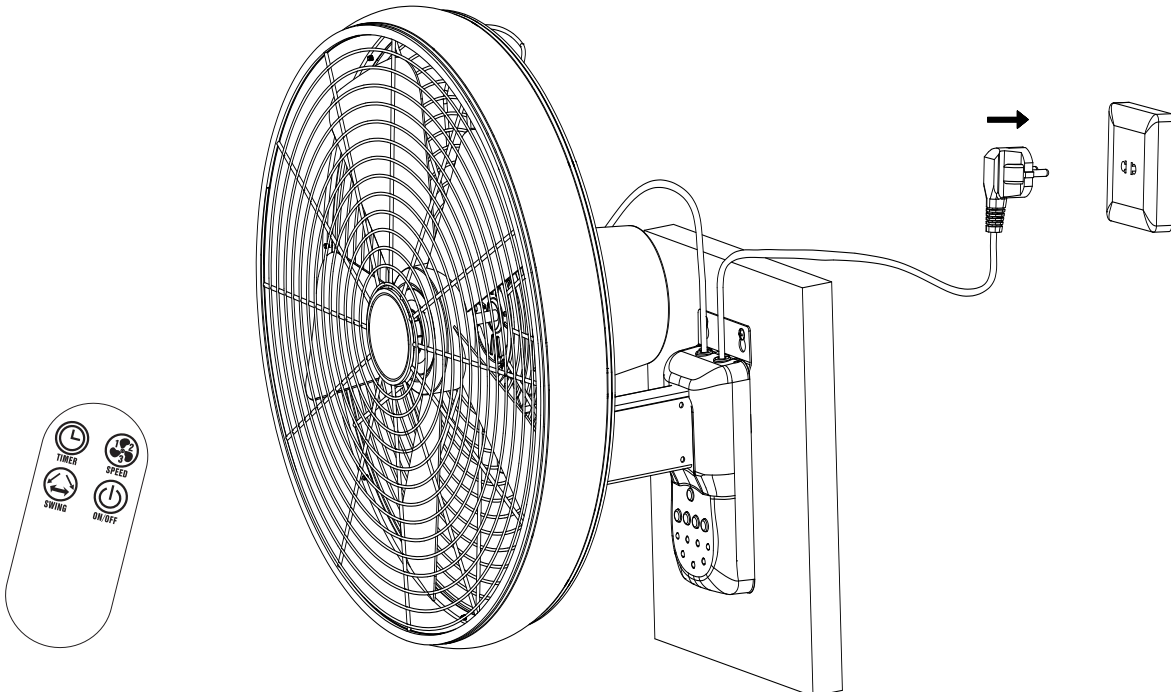
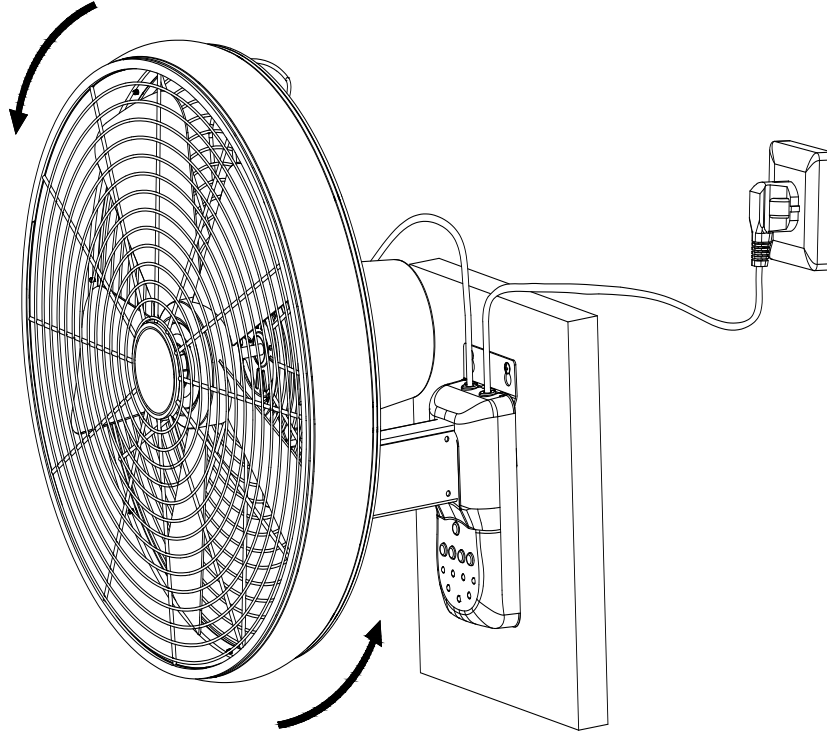
Step 11-18: Use a screwdriver to open the remote control's (B) back cover. Insert 2x AAA batteries into the remote, aligning +/- terminals with slots. Use a screwdriver to close and fix the back cover.



INSTALLATION

Step 19: Connect power - Plug in the fan's power cord to a suitable outlet, turn on the fan and check that it works properly.

19



WALL FAN OPERATION

Battery Installation

2x AAA 1.5V batteries are required to operate the remote control. Pull out the battery cover from the remote and install the batteries. Ensure the polarity is correct as shown in the battery compartment.

Operating the Remote



Fan On/Off Button: Press the button to turn the fan On/Off



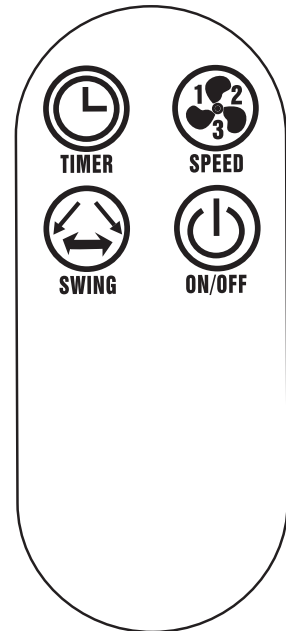
Fan Speed Button: Press the button to change the fan speed in the following order: Low speed - Medium speed - High speed



Fan Timer Button: Press the button to activate the fan timer function, the fan will turn off after running 1 hour / 3 hours / 6 hours

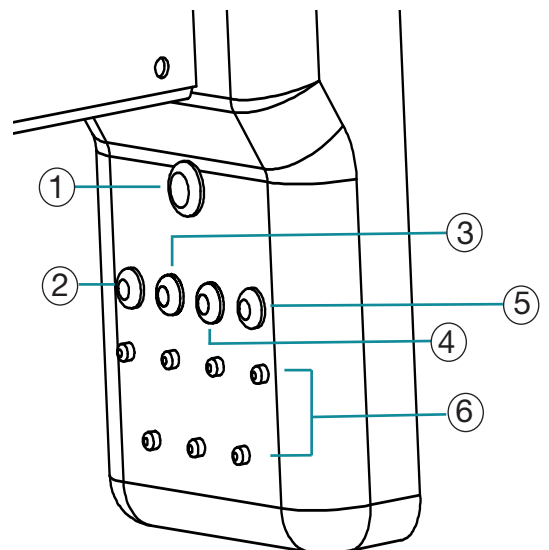


Fan Swing Button: Press the button to activate the fan oscillation function when fan is running.



Operating the Control Panel

- ① Infrared detector
- ② Fan On/Off Button: Press the button to turn the fan On/Off
- ③ Fan Speed Button: Press the button to change the fan speed in the following order: Low speed - Medium speed - High speed
- ④ Fan Swing Button: Press the button to activate the fan oscillation function when fan is running.
- ⑤ Fan Timer Button: Press the button to activate the fan timer function, the fan will turn off after running 1 hour / 3 hours / 6 hours
- ⑥ LED Indicators: The LED indicator on the fan body lights up to indicate the fan button has been pressed and the fan function has been activated.



IMPORTANT NOTICES

Care & Cleaning

NOTE: Always remove the plug from socket to turn off the power before performing any maintenance or attempting to clean your fan.

Every 6 months periodic cleaning of your wall fan is the only maintenance required. Use a soft brush or lint free cloth to avoid scratching the paint finish. Please turn off electricity power when you do so.

Do not soak or immerse your fan in the water or other liquids. It could damage the motor or the blades and create the possibility of an electrical shock.

Ensure that the fan does not come in contact with any organic solvents or cleaners.

To clean the fan blade, after taking off the grille from fan body by loosening the screws, wipe the blade with only a damp clean cloth with NO organic solvents or cleaners.

The motor has a permanently lubricated ball bearing so there is no need to oil.

Safety Precautions for Battery

WARNING - Keep new and used batteries away from children.

CAUTION - Do not ingest battery - Chemical burn hazard.

Always use 2 x AAA battery type with this fan remote controller

Ensure the batteries are inserted with the correct polarity.

Non-rechargeable batteries are not to be recharged.

Different types of batteries or new and used batteries are not to be mixed.

Remove batteries from the product when not in use for long periods of time.

Batteries must be removed from the remote transmitter before it is discarded.

Dispose of exhausted batteries immediately and safely (so they cannot be retrieved by children). Batteries can still be dangerous. Contact your local council to safely dispose of the battery.

Regularly check the product and make sure the battery cover is correctly secured. If the battery compartment does not close securely, stop using the product and keep it away from children.

If you think batteries might have been swallowed or placed inside any part of the body, seek immediate medical attention.

If you suspect your child has swallowed or inserted a 2 x AAA battery, call the emergency number of your country.

Battery Leaks: Battery contains chemicals and should be treated as any chemical would. Take precautions when handling leaked battery chemicals. Battery chemicals should not be placed near the eyes or ingested, call the emergency number of your country.

Technical Information				
Fan Models	Rated Voltage	Rated Power (motor)	Speed Control	Battery for Remote
MWFC400M MWFC400W	220-240VAC	55W	3 speeds	2 x AAA



2 Year Replacement Warranty

For further information please visit our website (link below) OR scan the QR code

<https://www.martec.com.au/warranty-statement>

For technical support, please contact Martec customer service hotline at **(02) 8778 7500**.

