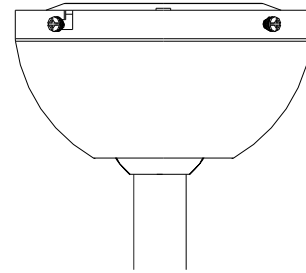
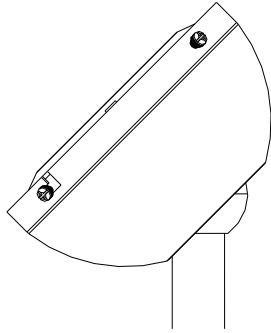


# INSTALLATION GUIDE

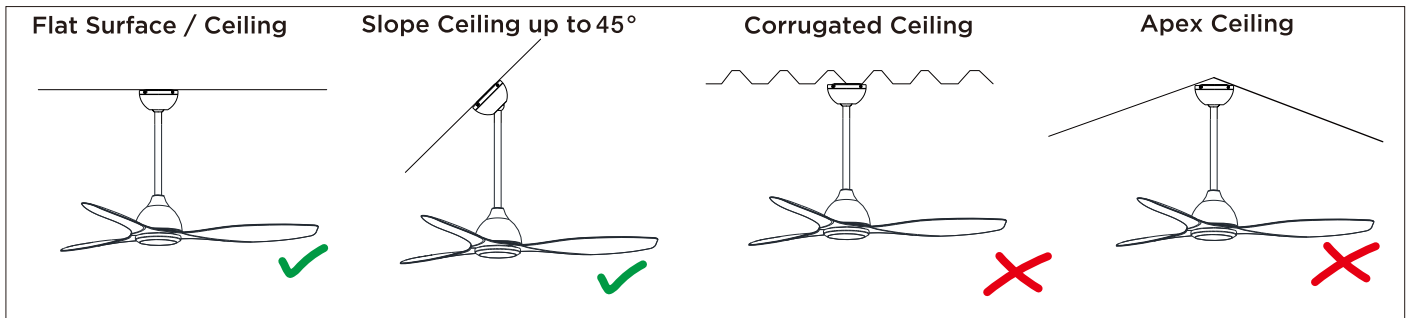
## Angle Ceiling Fan Canopy



### Models Parameters :-

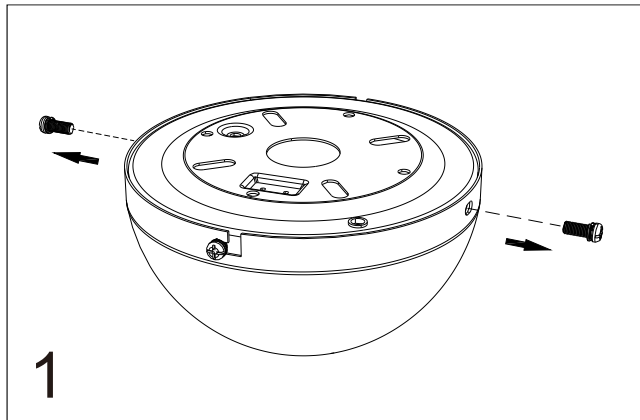
- MA45KITM Angle Ceiling Fan Canopy 40 Degree To Suit All Martec Fans With 26mm Downrods Matt Black
- MA45KITW Angle Ceiling Fan Canopy 40 Degree To Suit All Martec Fans With 26mm Downrods Matt White

### Application



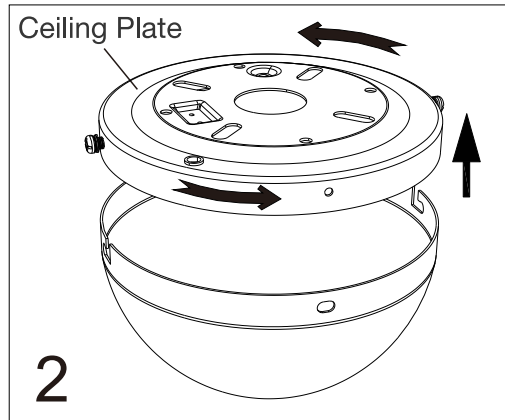
**MUST BE  
INSTALLED BY  
A LICENSED  
ELECTRICIAN**

# INSTALLING THE HANGER BRACKET

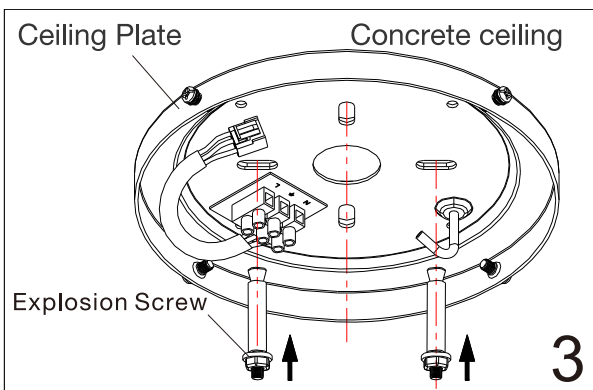


1

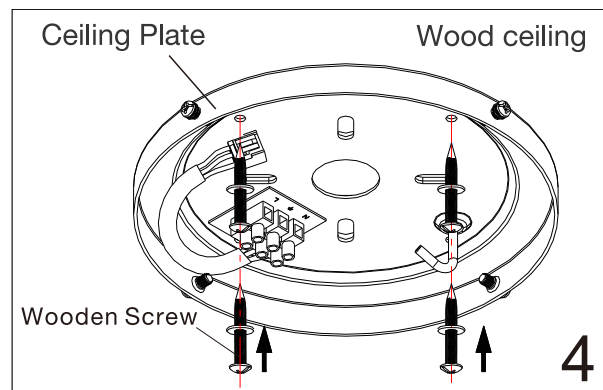
1. Remove the fixed screws and keep it well.
2. Take out the ceiling plate.



2



3

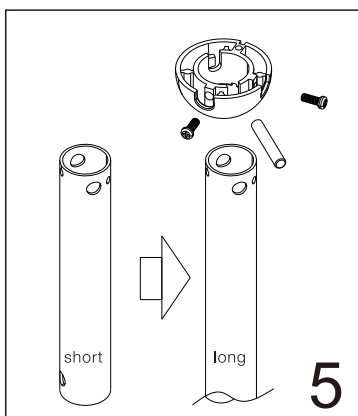


4

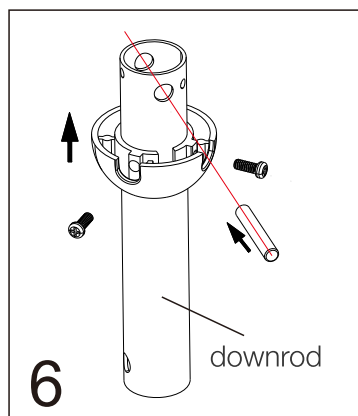
Please drill 8mm hole on the ceiling, and insert the bolt. Align bracket with the hole, then tighten with nut.  
The mounting plate MUST be installed in the exact direction as illustrated above.

## DOWNROD REPLACEMENT AND INSTALLATION

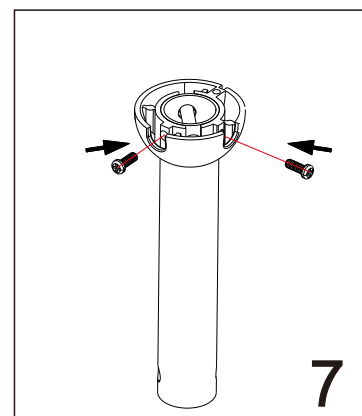
1. Please choose the appropriate downrod according to the height of the house.  
**Notice:** Make sure the fan blades at least 7 feet above the floor.
2. Insert the hanging ball into the downrod and fix it with screws.  
**Important Note:** This product needs to be installed with a Martec 900mm or 1800mm extension rod.



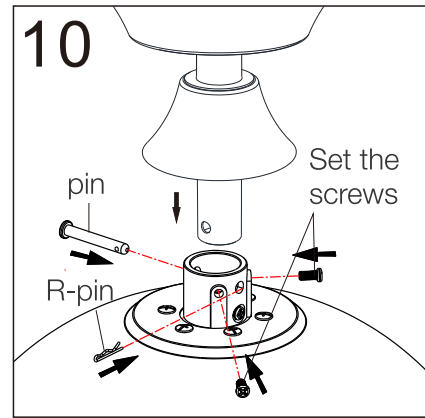
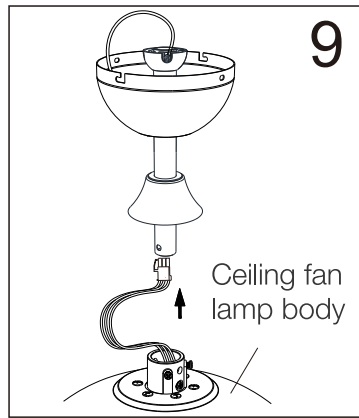
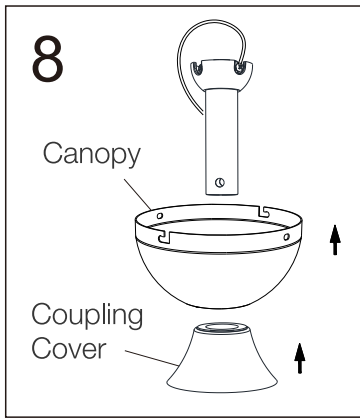
5



6

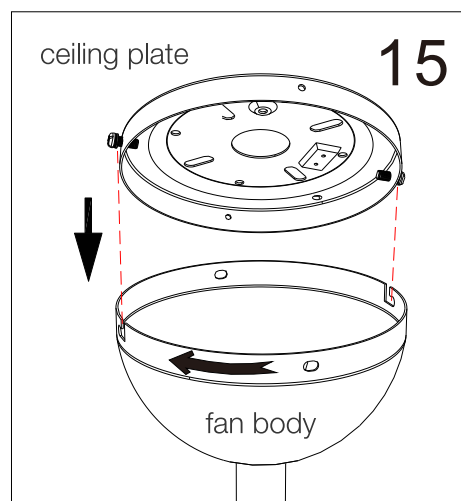
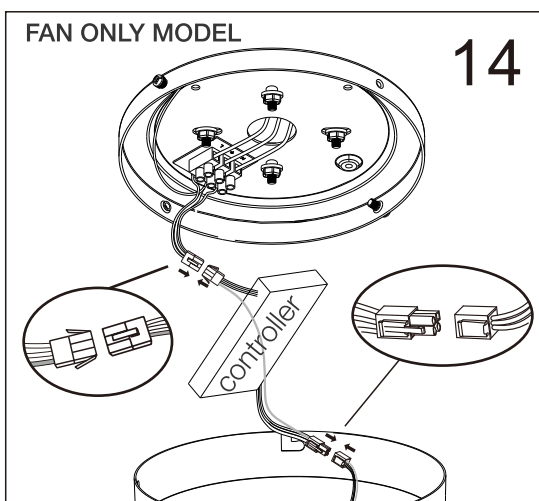
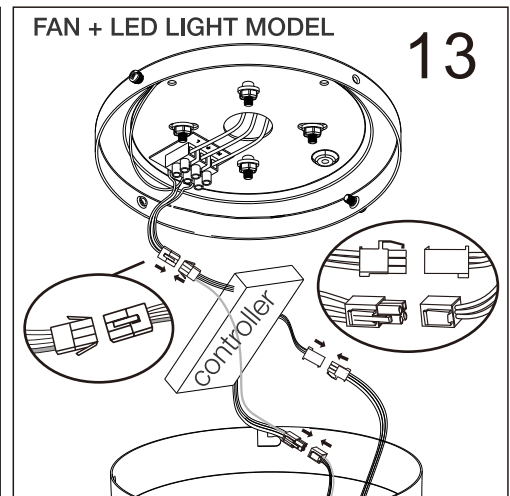
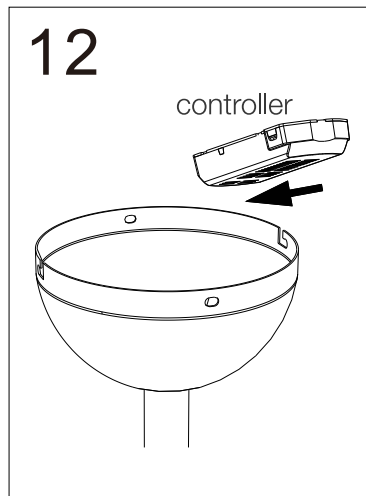
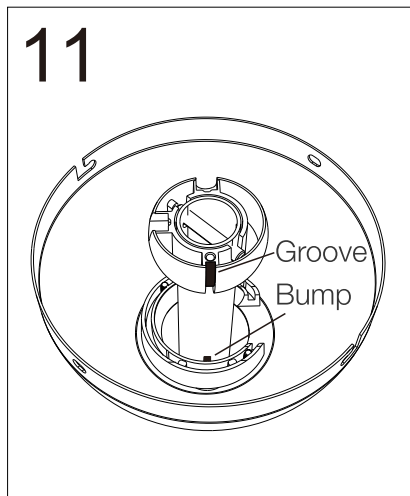


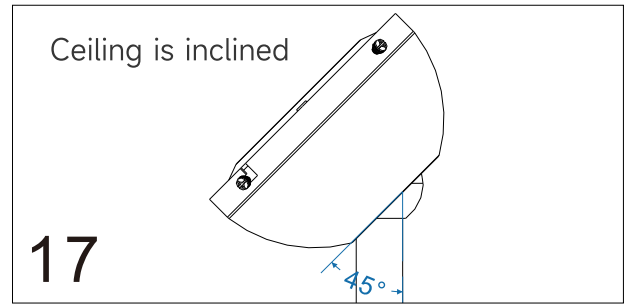
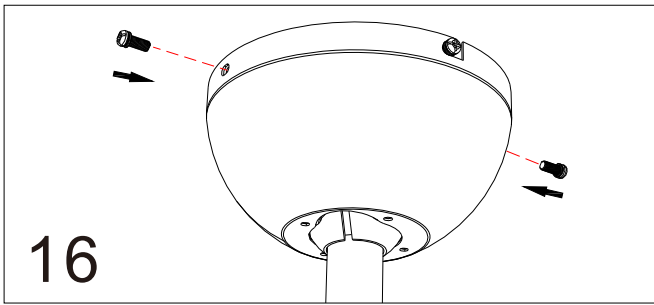
7



3. After fixing the hanging ball, insert the downrod components in to the canopy and coupling cover in sequence.
4. Thread the wires of the ceiling fan lamp body into the interior of the downrod.
5. Finally, fix the downrod with screws.

## CEILING SUSPENSION





1. Insert the groove on the hanging ball into the protrusion of the canopy.
2. Put the controller into the canopy and connect the wires.
3. Align the screw holes between the fan body and ceiling plate, then rotate and fixed the fan body to the ceiling plate. Then fixed both parts by screws.
4. Locked other two sides by screws.
5. If the ceiling is inclined, the fan body can be tilted according to the angle of the ceiling panel, with a maximum tilt angle of 45 °.

**WARNING**

The fan must be hung with at least 230 cm of clearance from floor to blades.

Wire up the receiver with quick connectors and insert into the mounting bracket. Make sure the antenna wire is safely folded inside the canopy cover before final assembly. (Do not cut the antenna wire). Make sure the power is off at the mains before commencement of installation.

**IMPORTANT REMINDERS**

- Receiver must be correctly installed within the mounting bracket.
- When the transmitter cannot control the receiver, please check:
  - i) has sufficient battery in the transmitter, even if the indicator light on transmitter lights up there may not be enough voltage to transmit a command.
  - ii) any existence of similar remote controlled products nearby that cause interference.
- Replace battery if getting low as this will affect transmitter sending commands.
- Take the battery out from the transmitter when leaving unused for a long time to avoid battery leaks.
- Isolation switch much be connected in the line.