



### Model Number

MXFCR20W - 240mm  
MXFCR25W - 295mm

### Features

- Low profile design ideal for installation in bathrooms, laundry and any residential and apartment applications
- High Performance DC Motor
- Polycarbonate body finished with a gloss white fascia
- Easy installation clamps to fit and secure fan into the ceiling
- High velocity exhaust fan with back draft stopper



Replacement  
Warranty



Ingress  
Protection



Ultra Low  
Profile



Class II



High Performance  
Ball Bearing Motor

## SPECIFICATIONS

Model Name	Comet DC	
Model Numbers	MXFCR20W	MXFCR25W
Air Extraction m <sup>3</sup> /hr	390m <sup>3</sup> /hr	520m <sup>3</sup> /hr
Exhaust Fan Wattage	20W	35W
Voltage/Frequency	220-240Va.c. 50-60Hz	
Materials / Housing	Polypropylene housing	
Cutout Size	240mm	295mm
Decibel Rating	≤45dB	≤45dB
Ducting Size	100mm	150mm
Minimum Ceiling Depth	220mm	
IPX Rating	IPX4	

## SHIPPING

Model Number	Carton Size			Carton Quantity	Carton Gross Weight
	H	W	L		
MXFCR20W	250mm	317mm	327mm	2	2.4kg
MXFCR25W	250mm	377mm	390mm	2	3kg

## INSTALLATION & WARRANTY

Installation	By Licensed electrician only
Warranty	2 Year Replacement Warranty

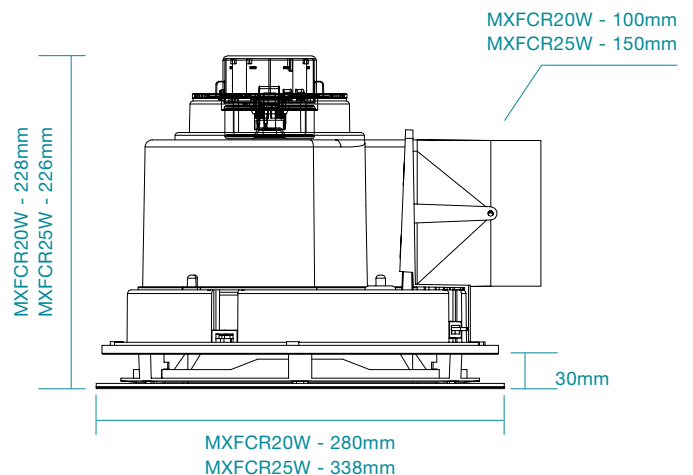
\*For further information regarding warranty terms and conditions, please visit our website: <https://www.martec.com.au/warranty-statement/>  
Warranty is void unless installed by a licensed electrician.

## AVAILABLE COLOURS



Model	Colour	Barcode
MXFCR20W	White	
MXFCR25W	White	

## DIMENSIONS



Aust/NZ Approval No.  
GMA-XXXXXX-XX