



Replacement  
Warranty



Ingress  
Protection



Ultra Low  
Profile



DIY  
Installation



Class II

## SPECIFICATIONS

Model Name	Core	
Model Numbers	MXFC20W	MXFC25W
Air Extraction m <sup>3</sup> /hr	310m <sup>3</sup> /hr	540m <sup>3</sup> /hr
Exhaust Fan Wattage	25W	35W
Voltage/Frequency	220-240Va.c. 50-60Hz	
Materials / Housing	Polypropylene housing	
Cutout Size	240mm	290mm
Decibel Rating	≤40dB	≤50dB
IPX Rating	IPX2	
Minimum Ceiling Depth	220mm	
Accessories Included	1x 1m flex & plug	

## AVAILABLE COLOURS



Model	Colour	Barcode
MXFC20W	White	9 312375 501213
MXFC25W	White	9 312375 501190



Aust/NZ Approval No.  
GMA-XXXXXX-XX

## Model Number

MXFC20W - 240mm

MXFC25W - 290mm

## Features

- Classic design exhaust fan
- High air-extraction
- Polypropylene (PP) housing and fascia
- DIY flex and plug supplied for easy installation
- Quiet operation

## INSTALLATION & WARRANTY

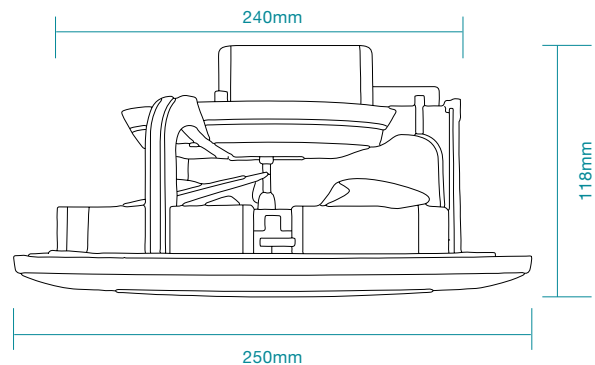
Installation	By Licensed electrician only
Warranty	2 Year replacement warranty

\*For further information regarding warranty terms and conditions, please visit our website: <https://www.martec.com.au/warranty-statement/>

Warranty is void unless installed by a licensed electrician.

## DIMENSIONS

### CORE 240



### CORE 290

