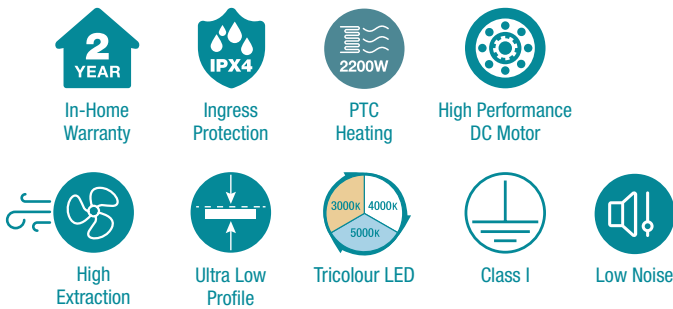


## 4-IN-1 BATHROOM HEATER COOLER / EXHAUST FAN / LIGHT



### Model Number

MBHQM2200W

### Features

- Sleek and low profile design to suit any bathroom application
- Features a 20W Tricolour LED panel light
- Variable cutout for retro-fit
- Polypropylene (PP) housing with polycarbonate (PC) fascia
- Built in thermal overload protection
- Efficient fan only / cooling function
- Back draft stopper included
- Cut-out template included
- Compatible with Martec Bathroom Remote MBHPTKIT (not included)

### SPECIFICATIONS

<b>Model Name</b>	Quasar Mini DC
<b>Model Number</b>	MBHQM2200W Matt White
<b>Air Extraction m<sup>3</sup>/hr</b>	330m <sup>3</sup> /hr
<b>Exhaust Fan Wattage</b>	25W
<b>Voltage/Frequency</b>	220-240Va.c. 50-60Hz
<b>Materials / Housing</b>	Polypropylene housing
<b>Cutout Size</b>	330 x 330mm retro fit up to 350 x 350mm
<b>Decibel Rating</b>	≤40dB
<b>IPX Rating</b>	IPX4
<b>Heating Wattage / Type</b>	2200W PTC
<b>Lighting Wattage / Type</b>	20W LED
<b>Colour Temperature</b>	3000K/ 4000K / 5000K
<b>Lumens Output</b>	1200lm / 1190lm / 1180lm
<b>Minimum Ceiling Depth</b>	200mm
<b>Ducting Size</b>	100mm
<b>Accessories Included</b>	1x 1.5m duct 2x clips for ducting 1x external grille 1 x 4 gang switch wall controller

### AVAILABLE COLOURS



Model	Colour	Barcode
MBHQM2200W	Matt White	

### SHIPPING

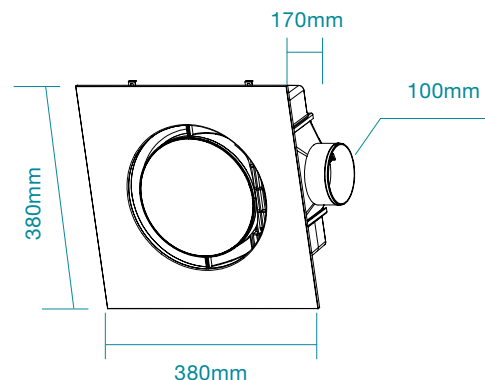
Model Number	Carton Size			Carton Quantity	Carton Gross Weight
	H	W	L		
MBHQM2200W	452mm	223mm	240mm	2	5.5kg

### INSTALLATION & WARRANTY

<b>Installation</b>	By Licensed electrician only
<b>Warranty</b>	2 Year In-Home Warranty

\*For further information regarding warranty terms and conditions, please visit our website: <https://www.martec.com.au/warranty-statement/>  
Warranty is void unless installed by a licensed electrician.

### DIMENSIONS



Aust/NZ Approval No.  
GMA-XXXXXX-XX