

WALL MOUNT 2-IN-1 BATHROOM HEATER / COOLING FAN



Model Number

MBHT2200W

Features

- Sleek and low profile design to suit any bathroom application
- Optional towel rack
- Easy to use with touch buttons
- Live temperature display
- Half heat function
- Adjustable timer function ranging from 5 to 90 minutes
- Maintains consistent heating temperature between 20° to 45°
- Oscillating air outlet for even airflow distribution
- Installation template included
- Designed for easy installation and maintenance



Replacement
Warranty



Ingress
Protection



PTC
Heating



Ultra Low
Profile



Touch Button
Control



High Performance
Ball Bearing

SPECIFICATIONS

Model Name	Thermo
Model Number	MBHT2200W Matt White
Voltage/Frequency	220-240Va.c. 50-60Hz
Decibel Rating	≤45dB
IPX Rating	IPX2
Heating Wattage / Type	2200W PTC
Cooling Fan Wattage	2x 30W
Timer	5 to 90 min. adjustable
Temperature Settings	20°C to 45°C
Accessories Included	2x Mounting Bracket 1x Screw Pack 1x Installation Drilling Template 1x Towel Rail Kit

SHIPPING

Model Number	Carton Size			Carton Quantity	Carton Gross Weight
	H	W	L		
MBHT2200W	390mm	160mm	518mm	2	6kg

INSTALLATION & WARRANTY

Installation	By Licensed electrician only
Warranty	2 Year Replacement Warranty

*For further information regarding warranty terms and conditions, please visit our website: <https://www.martec.com.au/warranty-statement/>

Warranty is void unless installed by a licensed electrician.

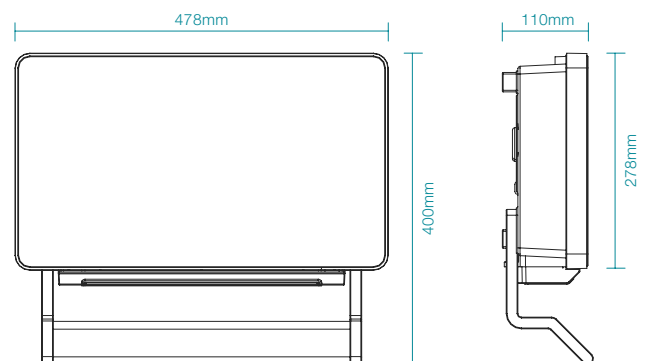
AVAILABLE COLOURS



Matt White

Model	Colour	Barcode
MBHT2200W	Matt White	

DIMENSIONS



Aust/NZ Approval No.
GMA-XXXXXX-XX