

## WALL MOUNT 2-IN-1 BATHROOM HEATER / COOLING FAN



2  
YEAR

In-Home  
Warranty



IPX2  
Ingress  
Protection



2200W  
PTC  
Heating



Ultra Low  
Profile



Touch Button  
Control



High Performance  
Ball Bearing

### Model Number

MBHT2200W

### Features

- Sleek and low profile design to suit any bathroom application
- Optional towel rack
- Easy to use with touch buttons
- Live temperature display
- Half heat function
- Adjustable timer function ranging from 5 to 90 minutes
- Maintains consistent heating temperature between 20° to 45°
- Oscillating air outlet for even airflow distribution
- Installation template included
- Designed for easy installation and maintenance

## SPECIFICATIONS

<b>Model Name</b>	Thermo
<b>Model Number</b>	MBHT2200W Matt White
<b>Voltage/Frequency</b>	220-240Va.c. 50-60Hz
<b>Decibel Rating</b>	≤45dB
<b>IPX Rating</b>	IPX2
<b>Heating Wattage / Type</b>	2200W PTC
<b>Cooling Fan Wattage</b>	2x 30W
<b>Timer</b>	5 to 90 min. adjustable
<b>Temperature Settings</b>	20°C to 45°C
<b>Accessories Included</b>	2x Mounting Bracket 1x Screw Pack 1x Installation Drilling Template 1x Towel Rail Kit

## SHIPPING

Model Number	Carton Size			Carton Quantity	Carton Gross Weight
	H	W	L		
MBHT2200W	390mm	160mm	518mm	2	6kg

## INSTALLATION & WARRANTY

<b>Installation</b>	By Licensed electrician only
<b>Warranty</b>	2 Year In-Home Warranty

\*For further information regarding warranty terms and conditions, please visit our website: <https://www.martec.com.au/warranty-statement/>

Warranty is void unless installed by a licensed electrician.

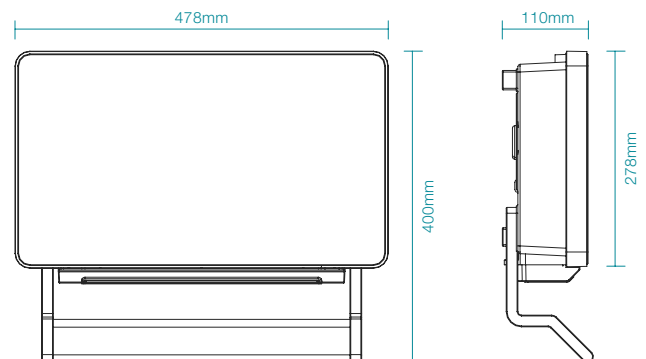
## AVAILABLE COLOURS



Matt White

Model	Colour	Barcode
MBHT2200W	Matt White	

## DIMENSIONS



Aust/NZ Approval No.  
GMA-XXXXXX-XX