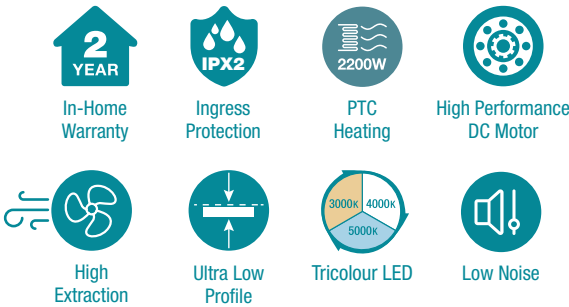


## 4-IN-1 BATHROOM HEATER COOLER / EXHAUST FAN / LIGHT



### Model Number

MBHVDC2200W

### Features

- Sleek and low profile design to suit any bathroom application
- Features a 20W Tricolour LED panel light
- Polypropylene (PP) housing with polycarbonate (PC) fascia
- Built in thermal overload protection
- Efficient fan only / cooling function
- Back draft stopper included
- Cut-out template included
- Compatible with Martec Bathroom Remote MBHPTKIT (not included)

### SPECIFICATIONS

|  |   |
|--|---|
| <b>Model Name</b>                      | Vapour DC   |
| <b>Model Number</b>                    | MBHVDC2200W Matt White  |
| <b>Air Extraction m<sup>3</sup>/hr</b> | 600m <sup>3</sup> /hr   |
| <b>Exhaust Fan Wattage</b>             | 50W   |
| <b>Voltage/Frequency</b>               | 220-240Va.c. 50-60Hz  |
| <b>Materials / Housing</b>             | Polypropylene housing   |
| <b>Cutout Size</b>                     | 523 x 343mm   |
| <b>Decibel Rating</b>                  | ≤45dB   |
| <b>IPX Rating</b>                      | IPX2  |
| <b>Heating Wattage / Type</b>          | 2200W PTC   |
| <b>Lighting Wattage / Type</b>         | 20W LED   |
| <b>Colour Temperature</b>              | 3000K/ 4000K / 5000K  |
| <b>Lumens Output</b>                   | Up to 2000lm  |
| <b>Minimum Ceiling Depth</b>           | 200mm   |
| <b>Ducting Size</b>                    | 150mm   |
| <b>Accessories Included</b>            | 1x 1.5m duct<br>1x external grille<br>1 x 4 gang switch wall controller |

### SHIPPING

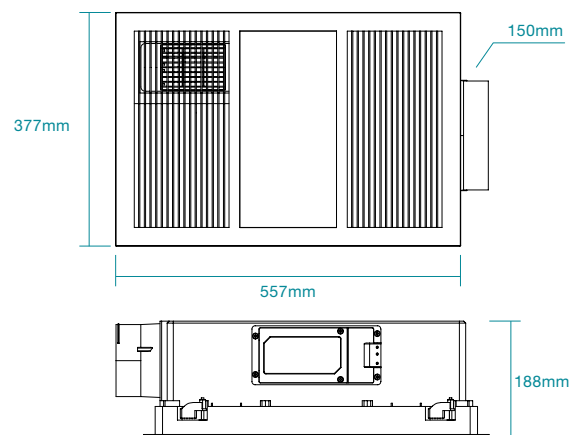
| Carton Size  |       |       |       |                 |                     |
|--------------|-------|-------|-------|-----------------|---------------------|
| Model Number | H     | W     | L     | Carton Quantity | Carton Gross Weight |
| MBHVDC2200W  | 435mm | 240mm | 700mm | 2               | 7.5kg               |

### INSTALLATION & WARRANTY

|                     |                              |
|---------------------|------------------------------|
| <b>Installation</b> | By Licensed electrician only |
| <b>Warranty</b>     | 2 Year In-Home Warranty      |

\*For further information regarding warranty terms and conditions, please visit our website: <https://www.martec.com.au/warranty-statement/>  
Warranty is void unless installed by a licensed electrician.

### DIMENSIONS



### AVAILABLE COLOURS



| Model       | Colour     | Barcode |
|-------------|------------|---------|
| MBHVDC2200W | Matt White |         |



Aust/NZ Approval No.  
GMA-XXXXXX-XX